

RAISED TOILET SEAT WITH FRONTAL LOCKING SCREW

12.5CM/5"

INTENDED USAGE:

The products of the *KING Raised Toilet Seat (RTS) Easy Safe line* are designed to increase the height of the toilet bowl, in order to facilitate sitting down and getting up and to promote independence and comfort. The frontal locking system provides the stability of the seat. The armrests, if provided, further increase safety and comfort and, the model equipped with the folding version, enables the user to reach a better freedom of movement.

INDICATIONS AND CONTRAINDICATIONS:

The RTS Easy Safe is aimed to elderly people, wheelchair users, people with reduced mobility of lumbar, knee or hip and to all those who might have difficulty in sitting down and getting up from the toilet bowl. The version provided with folding armrests makes this RTS Easy Safe particularly suitable for wheelchair users who resort to lateral transfer to the toilet seat. The ability to sit independently is required during the use. It is not recommended to use the RTS Easy Safe in case of perception disorders or balance problems.

SAFETY WARNINGS AND INDICATIONS:

- The maximum user weight indicated in the fitting instructions must not be exceeded.
- Before every use, be sure the RTS Easy Safe is in stable position on the WC and correctly fixed with the special fixing accessories supplied.
- The armrests must be properly assembled and, during use, the moving part must be correctly hooked as shown in the assembly pictures of the User Manual.
- During the assembly, strictly adhere to what is shown in the User Manual.
- Do not modify the RTS Easy Safe and its components in any way.
- Do not use the RTS Easy Safe if damaged or altered in any way. Cracks and deformations may strongly affect the performance and safety of the device.
- Be sure the height of the RTS Easy Safe is such as to make the use of it easy and safe for the user.
- Do not lean on the RTS Easy Safe while sitting or standing.
- During use, avoid positions that keep the body weight too much forward. Wrong positions may lead the user to slip and fall.
- The RTS Easy Safe must not be stored outdoors.

MAINTENANCE INFO:

The products maintenance consists of the cleaning and sanitation procedures. In order to guarantee a safe use and adequate standard of hygiene, the user should perform these procedures before every use. The user has to make certain of the structural integrity of the device and its components. For cleaning and sanitation procedures, follow the steps below:

1. Gloves should be worn.
2. Remove the evident dirt before to proceed with the most accurate disinfection.
3. Use water or non aggressive detergent for the cleaning procedure.
4. Wipe with a dry and clean cloth.

Alternatively, the RTS can be cleaned in domestic dishwashers at the maximum temperature.

REUSE REQUIREMENTS:

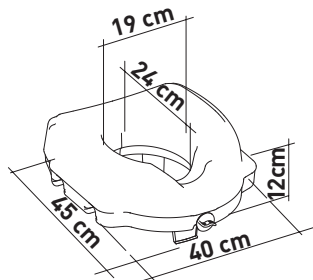
The product is suitable for reuse by other users. Before reuse by others, the product must be correctly cleaned and sanitized. Before the transfer of the product to others, the product must be checked by qualified dealers.

CORRECT DISPOSAL PROCEDURE:

Do not dispose of the product in the normal household waste. Ask your local authority beforehand for the correct and environmentally friendly way to dispose it.

INCIDENT REPORTING:

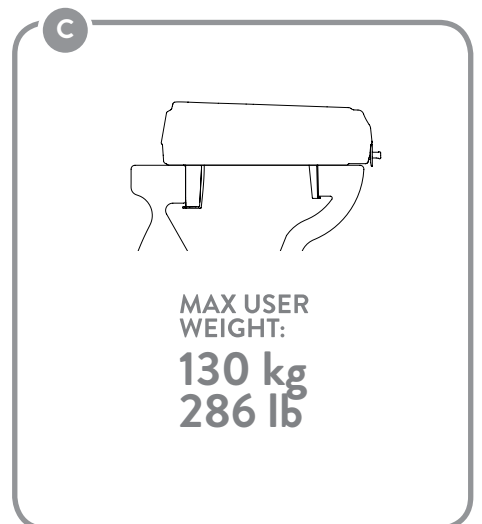
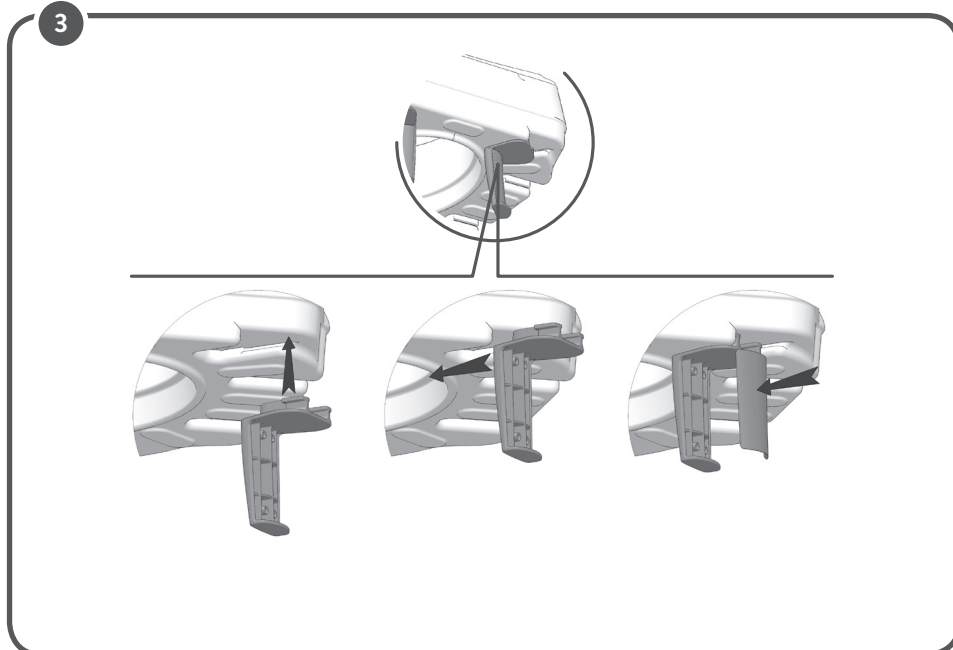
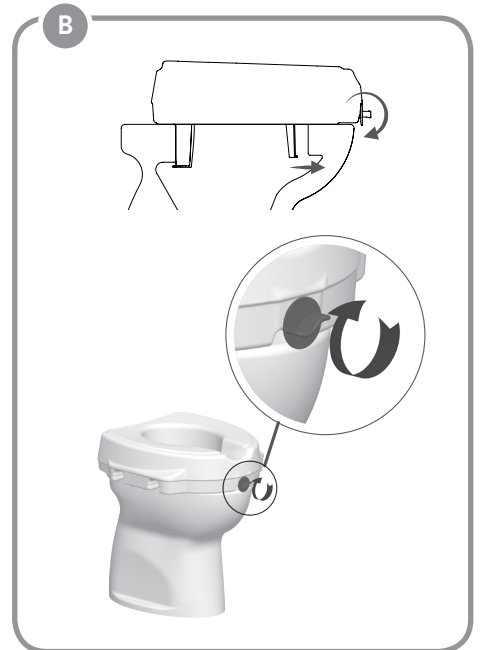
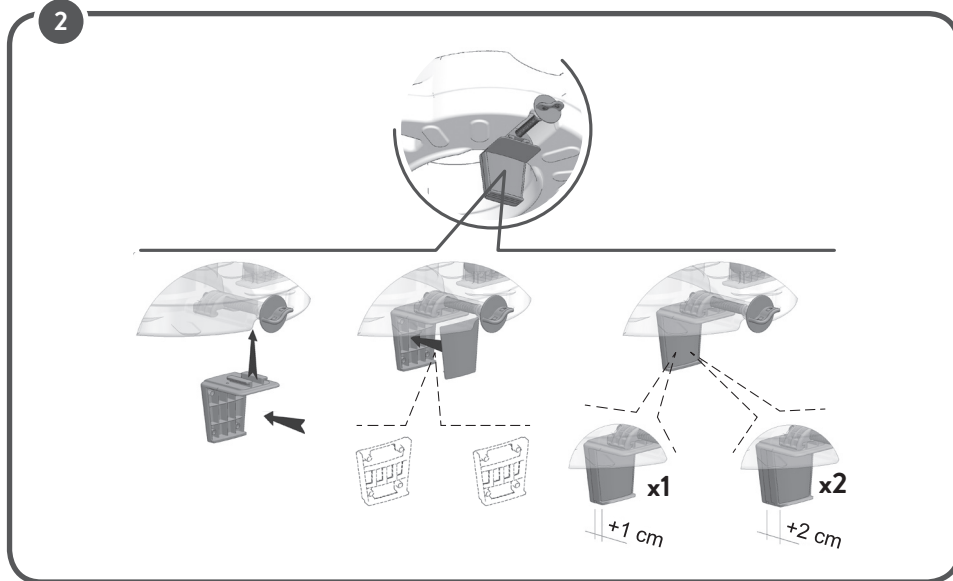
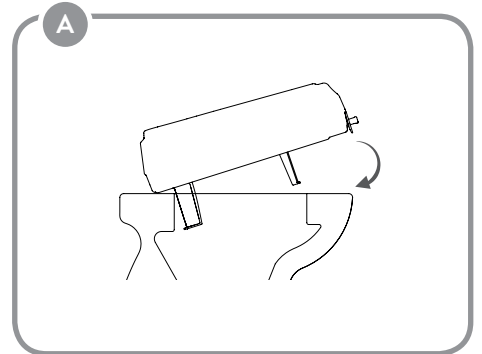
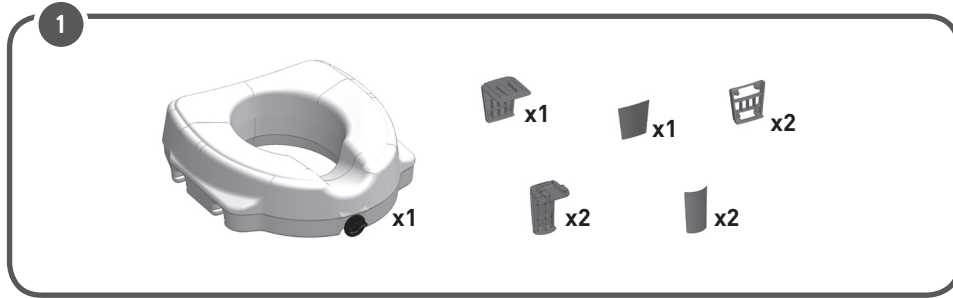
If there was a serious incident involving this device, contact the manufacturer of this product at info@lmglobaldesign.com and the responsible authority in your country.



RAISED TOILET SEAT WITH FRONTAL LOCKING SCREW



12.5CM/5"



MADE IN ITALY



LM Global Design Ltd.

Guinness Enterprise Centre,
Taylor's Lane, D8,
Dublin, Ireland

(t) +353 1 6874012
(w) www.lmglobaldesign.com
(e) info@lmglobaldesign.com