

BATHTUB SEAT WITH BACKREST

INTENDED USAGE:

The *KING Bathtub Seat with Backrest* acts as a bench designed to avoid the use of the bottom of the bathtub, facilitating entrance and exit from it. They reduce the risk to take a tiring or dangerous position during the sitting and standing procedures. The bathtub seat promotes the user independence during the bathtub stages of daily personal hygiene. The backrest further increases the comfort, offering an easier and safer way to take a bath.

INDICATIONS AND CONTRAINDICATIONS:

The KING Bathtub Seat provides support to the elderly people, wheelchair users, people with reduced mobility of the lower limbs, lumbar and hip, and to all those who have difficulty to lie down and stand up in the bathtub. For the use of the bathtub seat, the ability to sit independently is required. It is not recommended to use the bathtub seat if the user has balance or perception problems.

SAFETY WARNINGS AND INDICATIONS:

- The maximum user weight indicated in the fitting instructions must not be exceed.
- If the user has mobility problems or suffers from balance disorders, we suggest to ask for assistance to enter and exit the bathtub.
- Before each use, the user has to check the integrity of the bathtub seat.
- During the assembly, strictly adhere to what is shown in the User Manual.
- The risk of finger injuries may increase during the width selection step of the assembly stages and during the installation process on the bathtub.
- Before every use, be sure the bathtub seat is firmly stable on the bathtub. The end rubber caps and the rectangular rubber strips on the aluminium support must be correctly leaned to the plane edge and the side of the bathtub respectively.
- Do not modify the bathtub seat and its components in any way.
- Do not use the bathtub seat if damaged or altered in any way. Cracks and deformations may strongly affect the performances and safety of the device.
- During use, avoid positions that keep the body weight too much backward or frontward. Wrong positions may lead to instability and overturning of the bathtub seat.
- During the sitting and standing stages, the sliding risk may increase due to wet floor.
- The bathtub seat must not be stored outdoor.

MAINTENANCE INFO:

The products maintenance consists of the cleaning and sanitation procedures. In order to guarantee a safe use and adequate standard of hygiene, the user should perform these procedures before every use.

The user has to make certain of the structural integrity of the device and its components and the tightness of the screws must be checked. For cleaning and sanitation procedures, follow the steps below:

1. Gloves should be worn.
2. Remove the evident dirt before to proceed with the most accurate disinfection.
3. Use water or non aggressive detergent for the cleaning procedure.
4. Wipe with a dry and clean cloth

Alternatively, the product can be cleaned in domestic dishwashers at the maximum temperature.

REUSE REQUIREMENTS:

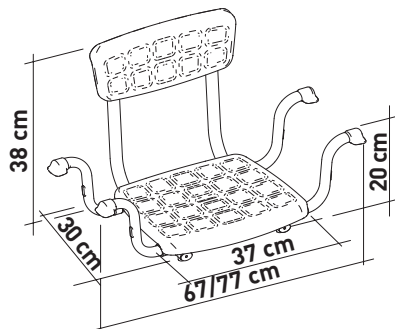
The product is suitable for reuse by other users. Before reuse by others, the product must be correctly cleaned and sanitized. Before the transfer of the product to others, the product must be checked by qualified dealers.

CORRECT DISPOSAL PROCEDURE:

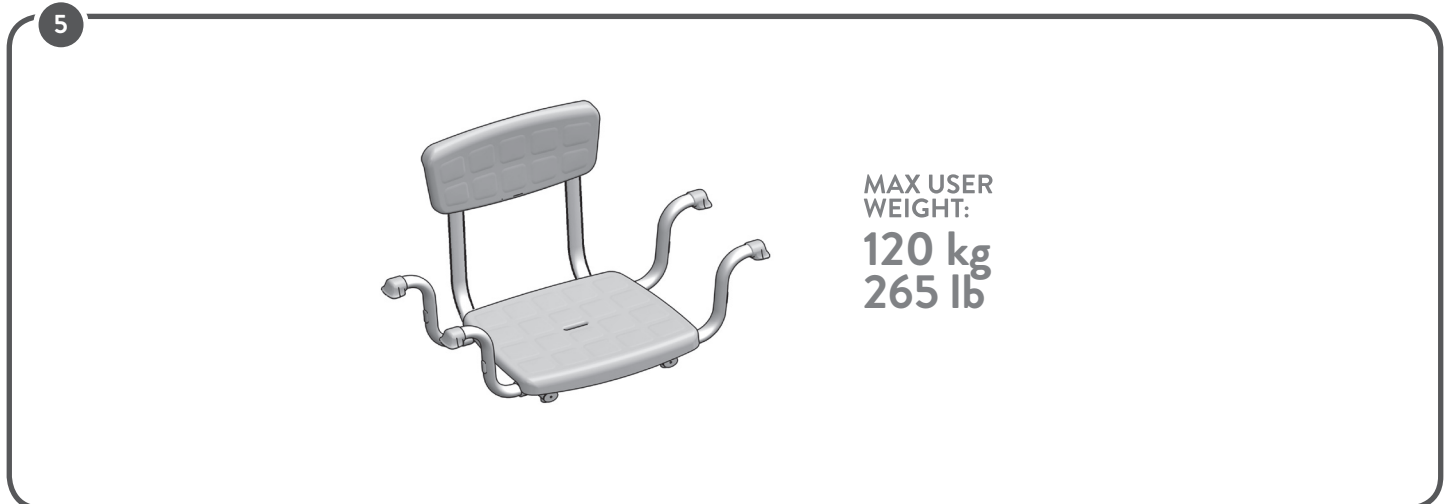
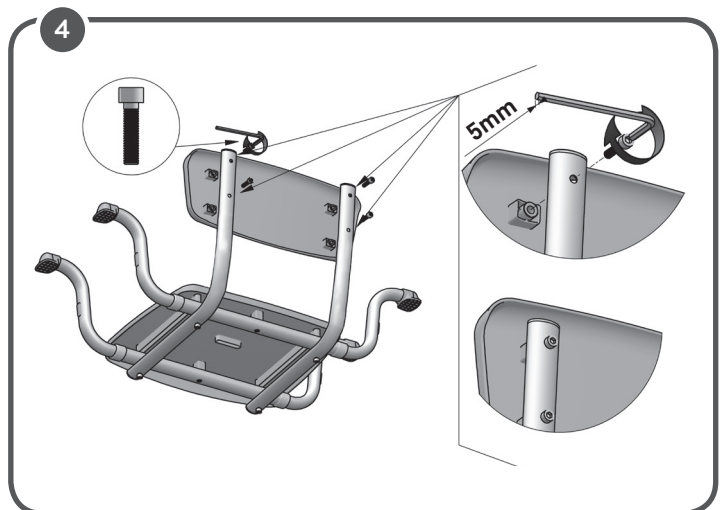
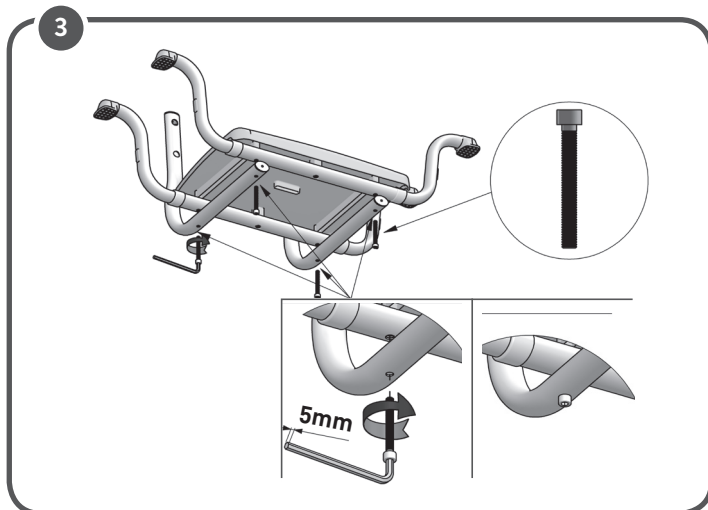
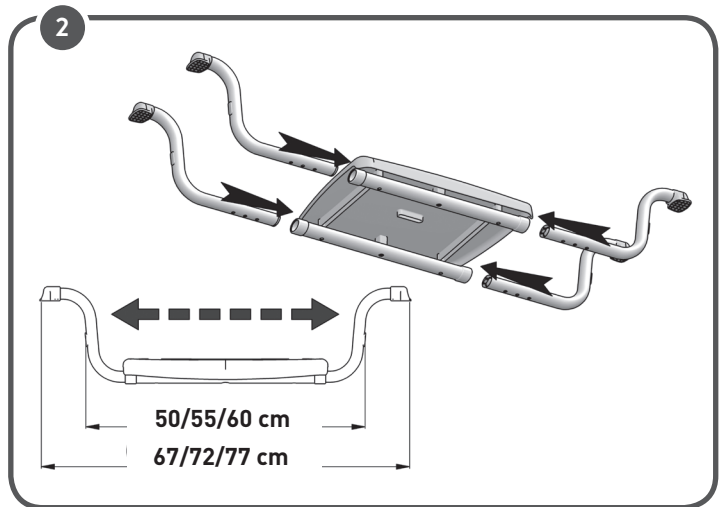
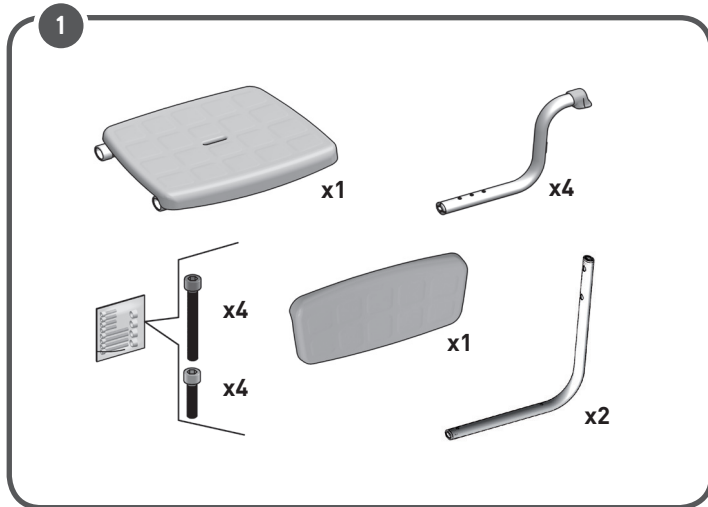
Do not dispose of the product in the normal household waste. Ask your local authority beforehand for the correct and environmentally friendly way to dispose it.

INCIDENT REPORTING:

If there was a serious incident involving this device, contact the manufacturer of this product at info@lmglobaldesign.com and the responsible authority in your country.



BATHTUB SEAT WITH BACKREST



MADE IN ITALY

